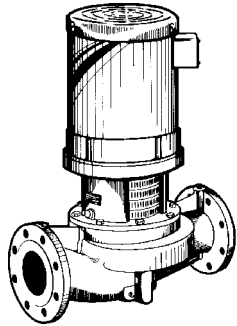




**Submittal Data**

**1750 RPM**

**60 Hertz**



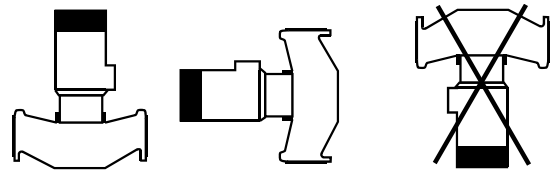
JOB or CUSTOMER:	
ENGINEER:	
CONTRACTOR:	
SUBMITTED BY:	DATE:
APPROVED BY:	DATE:
ORDER NO:	DATE:
SPECIFICATION REF:	

QUANTITY	TAG NO.	MODEL NO.	GPM	FEET	VOLT	PHASE	COMMENTS

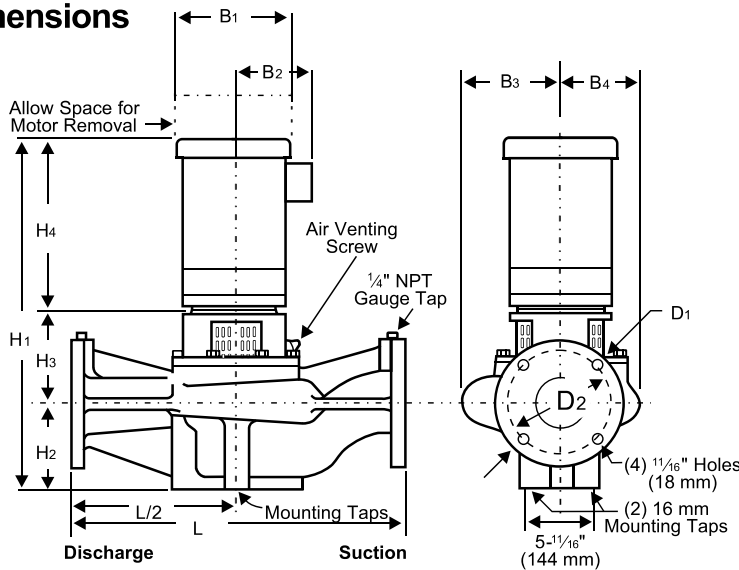
**Technical Data**

**FLOW RANGE:** 30 – 175 U.S. GPM  
**MINIMUM PUMPING RATE:** 15 U.S. GPM  
**HEAD RANGE:** 8 – 30 Feet  
**MOTORS:** ODP (Standard); TEFC (Optional)  
**TEMPERATURE RANGE:** 5° – 250°F (-15° – 121°C)  
**MAXIMUM WORKING PRESSURE:** 175 PSI  
**FLANGES:** 2 1/2" ANSI 125 lb. F.F.  
**MOTORS ARE / RATED**

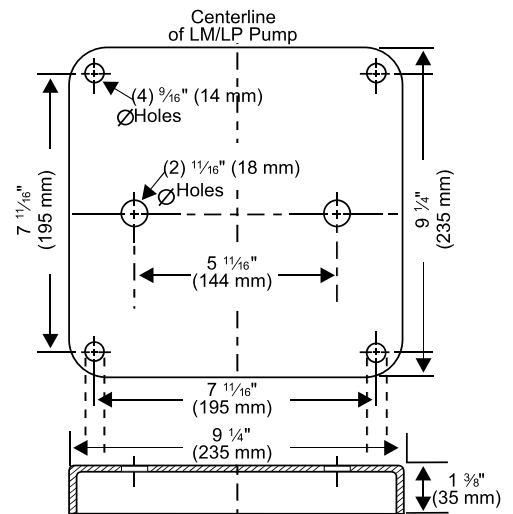
**Mounting Positions**



**Dimensions**



**Baseplate Dimensions (Baseplate Optional)**



**Electrical Data, Dimensions, and Weights<sup>①</sup>**

Pump Type	HP	Mtr. S.F.	PH	Volts	NEMA Frame Size	Suc./ Disc. Size	DIMENSIONS IN INCHES									Net Wt. (Lbs.)	Ship. Wt. (Lbs.)	Ship. Vol. (Cu.Ft.)
							H <sub>1</sub>	H <sub>2</sub>	H <sub>3</sub>	H <sub>4</sub>	B <sub>1</sub>	B <sub>2</sub>	B <sub>3</sub>	B <sub>4</sub>	L			
2.5LM5/4.6	.75	1.15	1	115/230	56C	2 1/2"	20 1/4	4 1/2	5 1/2	10 1/4	7 1/4	5 1/4	5	4 1/4	19	115	125	9
	.75	1.25	3	208-230/460	56C	2 1/2"	19 3/4	4 1/2	5 1/2	9 3/4	7 1/4	4 1/2	5	4 1/4	19	108	118	9
2.5LM5/5.2	1.5	1.15	1	115/230	56C	2 1/2"	21 1/4	4 1/2	5 1/2	11 1/4	7 1/4	5 1/4	5	4 1/4	19	118	128	9
	1.5	1.15	3	208-230/460	56C	2 1/2"	20 1/4	4 1/2	5 1/2	10 1/4	7 1/4	5 1/4	5	4 1/4	19	110	120	9

NOTES: <sup>①</sup> Above data for Baldor ODP motors.

D1: Flange O.D. = 7 1/16"; D2: Bolt circle diameter = 5 1/2"