

PUMP IN A BOX

CONTRACTOR
FIELD GUIDE



ARMSTRONG PUMPS: IN STOCK AND READY TO GO

PROBLEM: THE PUMP NEEDS REPLACEMENT NOW, NOT THREE WEEKS FROM NOW.

SOLUTION: DON'T MAKE YOUR CLIENTS WAIT. THE ARMSTRONG PUMP IN A BOX IS ON THE SHELF AND READY TO GO.



ARMSTRONG IS NOW INTRODUCING COMPLETE OFF-THE-SHELF AVAILABILITY IN COMMERCIAL PUMPS UP TO 10 HP.

NOW, YOU CAN VISIT YOUR WHOLESALE LOCATION, ASK FOR THE SIZE YOU NEED, AND HAVE IT AT YOUR SITE THE SAME DAY. NO TIME-CONSUMING ORDERING PROCESS, NO THREE-WEEK DELAYS. JUST FASTER TURNAROUND, HAPPIER CUSTOMERS – AND INCREASED PROFITABILITY.



SIZE MATTERS

Pump in a Box selections are available up to 10 HP, with a better range of flow and more comprehensive coverage than the competition within the 10 HP range.

Better coverage means you'll always be able to find the right size of pump for your installation. Pumps that are too large are inefficient, and end up wasting energy – and costing more to operate in the long term. Pumps that are too small won't be able to handle the load. Either way you're wasting energy and money.

The wide range of Armstrong pumps available in the Pump in a Box product line means you can find the size that fits your exact needs. The result: efficiency through proper selection that will generate significant savings over time.

Your clients will thank you.

MECHANICAL SEAL PUMPS FOR BETTER EFFICIENCY AND SERVICE

Unlike Canned Rotor pumps, Armstrong pumps are supplied with mechanical seals and standard off-the-shelf motors for ease of service and improved efficiency.

FOR COMMERCIAL APPLICATIONS

Armstrong Pump in a Box products are available for a wide range of applications and building types, including malls, office buildings, schools and high-rise residential buildings.

ARMSTRONG: QUALITY YOU CAN ALWAYS COUNT ON

Armstrong is committed to offering innovative, best-in-class products that allow you to deliver superior solutions, products and services to your customer. You can confidently install Armstrong pumps in almost any fluid flow application.


Contact us today for more information about the Pump in a Box product line.


Armstrong Pumps Inc.
93 East Avenue
North Tonawanda, New York
U.S.A. 14120-6594
T: (716) 693-8813
F: (716) 693-8970


S.A. Armstrong Limited
23 Bertrand Avenue
Toronto, Ontario
Canada, M1L 2P3
T: (416) 755-2291
F: (416) 759-9101

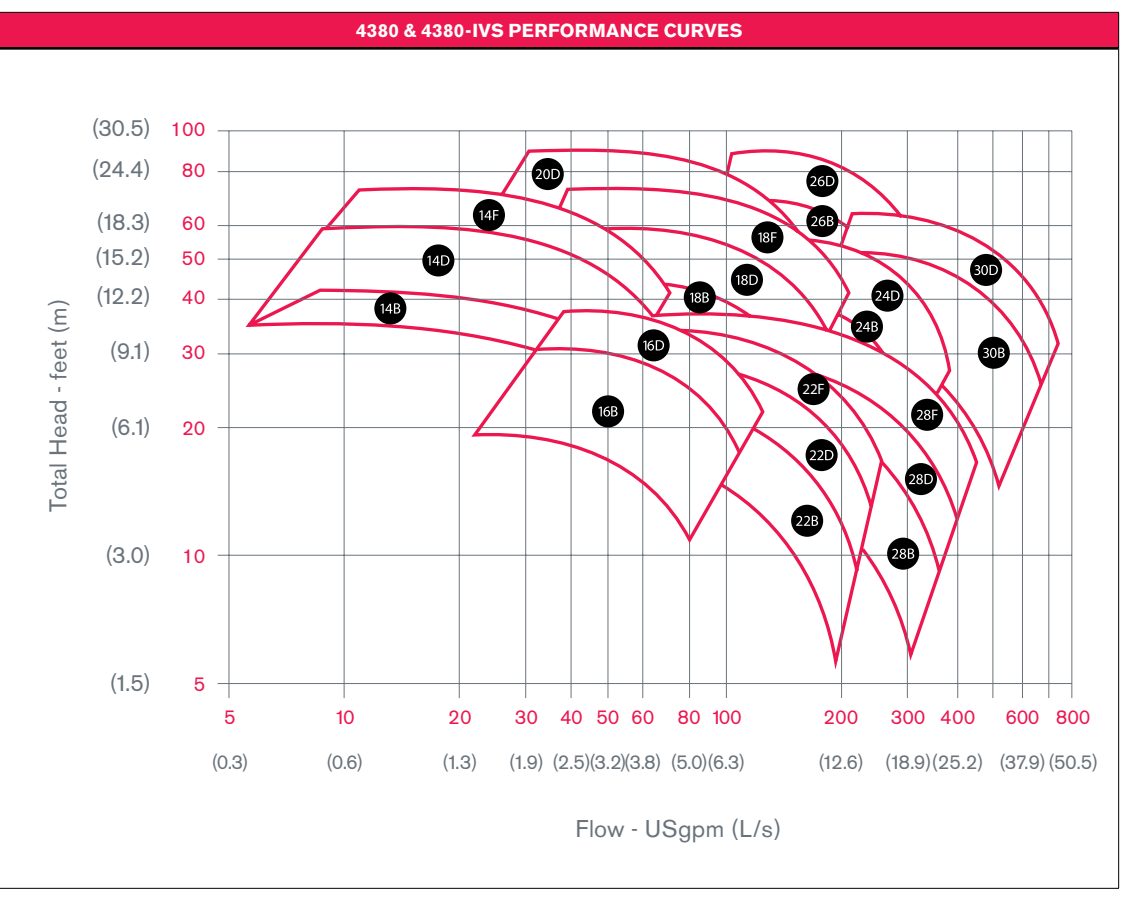
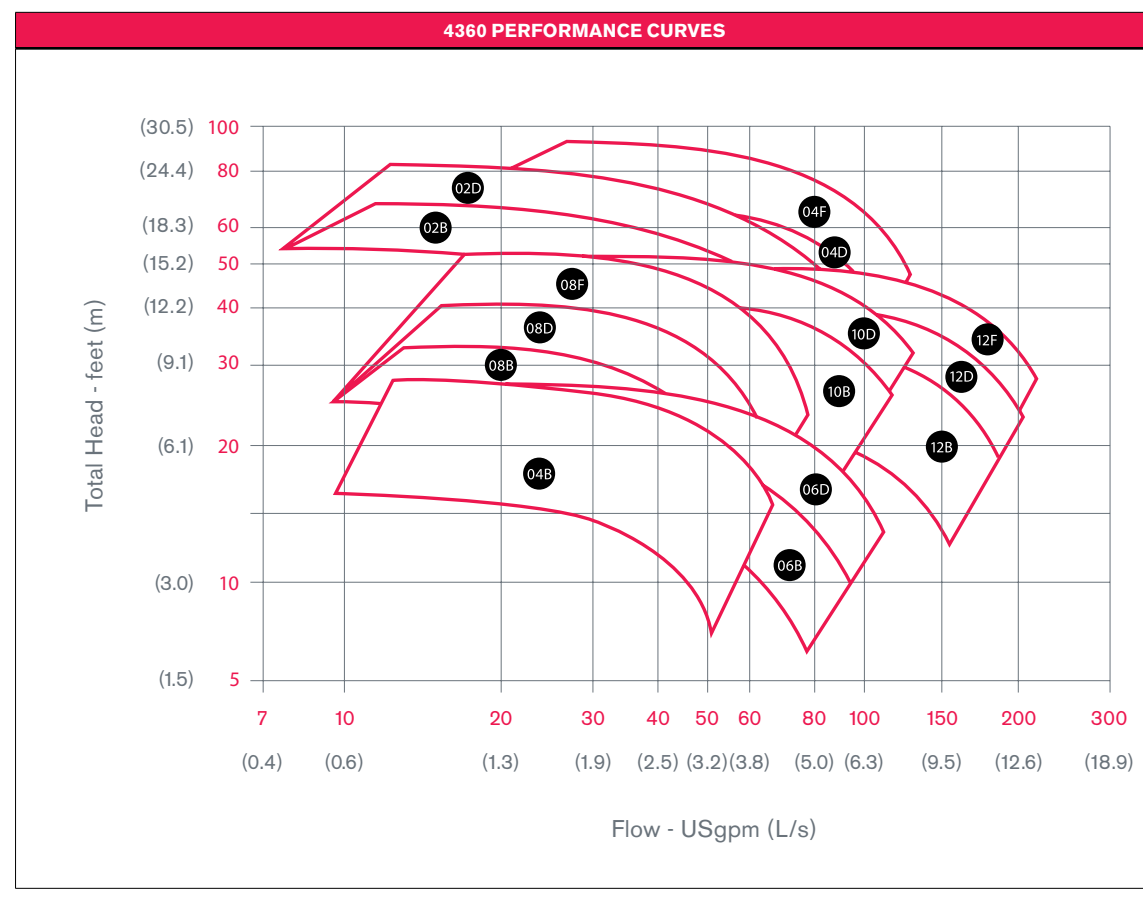
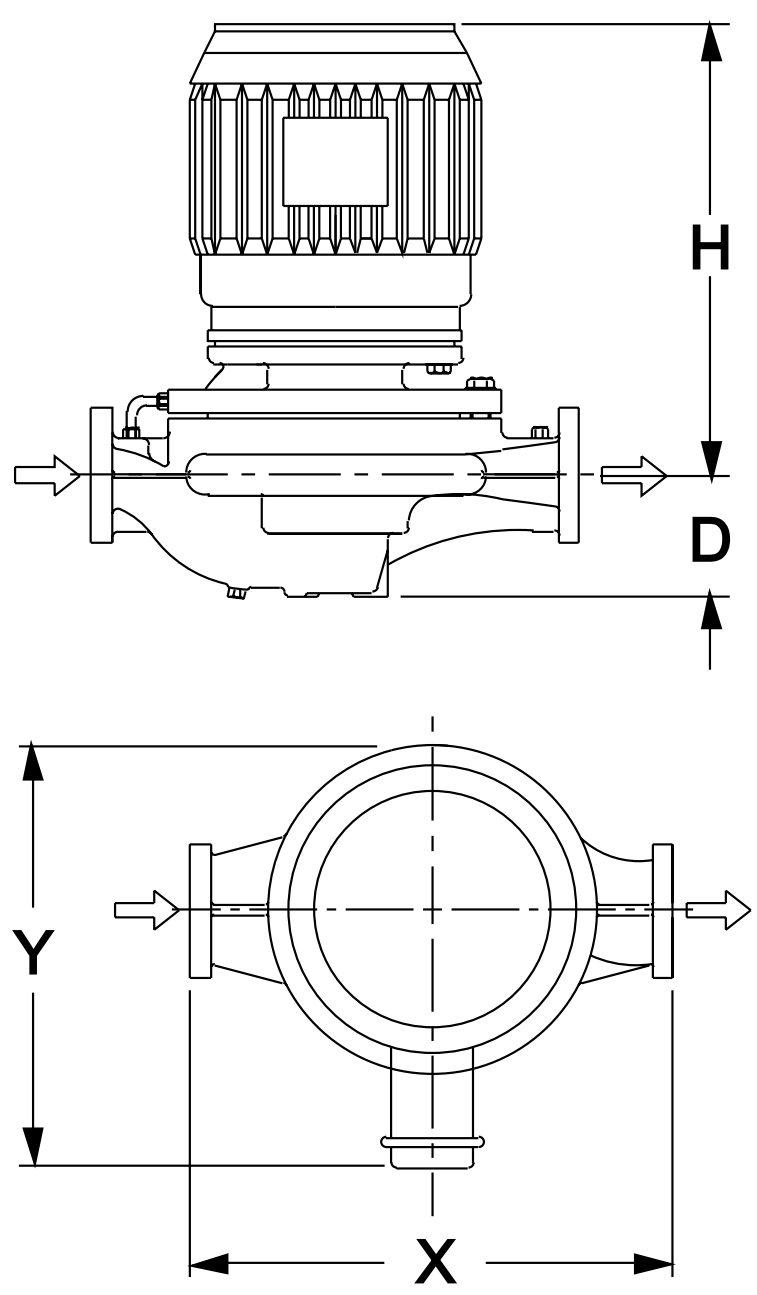
Armstrong Holden Brooke Pullen Limited
Wenlock Way
Manchester
United Kingdom, M12 5JL
T: +44 (0) 161 223 2223
F: +44 (0) 161 220 9660

PUMP IN A BOX CONTRACTOR FIELD GUIDE

SERIES 4360 CLOSE COUPLED VERTICAL IN-LINE	PUMP						MOTOR				DIMENSIONS - inch (mm)				WEIGHT
	Performance Curve	Model	Part No.	Inlet & Outlet (NPT)	Impeller Diameter	HP	Full Loads Ams @ Voltage				X	Y	H	D	lbs (kg)
							115	208	230	460					
	02D	4360B-AH	4360B00AH-083	1.25" x 1.25"	4.41"	1 1.50		6.60	6.00	3.00	12.38 (314)	8.75 (222)	12.75 (324)	3.56 (90)	42 (19.0)
	02B	4360B-AJ	4360B00AJ-083	1.25" x 1.25"	4.81"	1 2.00		7.50	6.80	3.40	12.38 (314)	8.75 (222)	13.13 (334)	3.56 (90)	47 (21.3)
	04B	4360B-BC	4360B00BC-062	1.50" x 1.50"	5.16"	2 0.50	2 9.80		6.80	4.90	12.50 (318)	8.75 (222)	12.75 (324)	3.56 (90)	43 (19.5)
	04D	4360B-BJ	4360B00BJ-083	1.50" x 1.50"	4.25"	1 2.00		7.50	6.80	3.40	12.50 (318)	8.75 (222)	13.13 (334)	3.56 (90)	53 (24.0)
	04F	4360B-BM	4360B00BM-083	1.50" x 1.50"	4.78"	1 3.00		10.6	9.60	4.80	12.50 (318)	8.75 (222)	13.13 (334)	3.56 (90)	58 (26.3)
	06B	4360B-CC	4360B00CC-062	2.00" x 2.00"	4.56"	2 0.50	2 9.80		6.80	4.90	12.63 (321)	8.88 (226)	12.75 (324)	3.50 (89)	49 (22.2)
	06D	4360B-CD	4360B00CD-083	2.00" x 2.00"	5.05"	0.75		3.50	3.20	1.60	12.63 (321)	8.88 (226)	12.75 (324)	3.50 (89)	51 (23.1)
	06F	4360B-CF	4360B00CF-083	2.00" x 2.00"	5.25"	1.00		4.60	4.20	2.10	12.63 (321)	8.88 (226)	12.75 (324)	3.50 (89)	54 (24.5)
	08B	4360D-AD	4360D00AD-083	1.50" x 1.50"	5.64"	0.75		3.50	3.20	1.60	14.38 (365)	10.50 (267)	13.69 (348)	3.25 (83)	102 (46.3)
	08D	4360D-AG	4360D00AG-083	1.50" x 1.50"	6.25"	1.00		4.60	4.20	2.10	14.38 (365)	10.75 (273)	13.75 (349)	3.25 (83)	110 (49.9)
	08F	4360D-AI	4360D00AI-083	1.50" x 1.50"	7.00"	1.50		6.60	6.00	3.00	14.38 (365)	10.75 (273)	14.75 (375)	3.25 (83)	115 (52.2)
	10B	4360D-BI	4360D00BI-083	2.00" x 2.00"	6.43"	1.50		6.60	6.00	3.00	14.88 (378)	11.13 (283)	14.75 (375)	3.50 (89)	115 (52.2)
	10D	4360D-BL	4360D00BL-083	2.00" x 2.00"	6.89"	2.00		7.50	6.80	3.40	14.88 (378)	11.13 (283)	14.75 (375)	3.50 (89)	120 (54.4)
	12B	4360D-CI	4360D00CI-083	3.00" x 3.00"	6.02"	1.50		6.60	6.00	3.00	19.00 (483)	13.13 (334)	14.81 (376)	4.50 (114)	130 (59.0)
	12D	4360D-CL	4360D00CL-083	3.00" x 3.00"	6.54"	2.00		7.50	6.80	3.40	19.00 (483)	13.13 (334)	14.81 (376)	4.50 (114)	130 (59.0)
	12F	4360D-CO	4360D00CO-083	3.00" x 3.00"	7.00"	3.00		10.6	9.60	4.80	19.00 (483)	14.63 (372)	15.56 (395)	4.50 (114)	165 (74.8)

SERIES 4380 CLOSE COUPLED VERTICAL IN-LINE	PUMP						MOTOR				DIMENSIONS - inch (mm)				WEIGHT
	Performance Curve	Model	Part No.	Inlet & Outlet (ANSI 125)	Impeller Diameter	HP	Full Loads Ams @ Voltage				X	Y	H	D	lbs (kg)
							115	208	230	460					
	14B	4380-08AG	4380008AG-083	1.50" x 1.50"	6.55"	1.00		4.60	4.20	2.10	16.00 (406)	11.75 (298)	14.75 (375)	5.75 (146)	151 (68.5)
	14D	4380-08AI	4380008AI-083	1.50" x 1.50"	7.62"	1.50		6.60	6.00	3.00	16.00 (406)	11.75 (298)	15.75 (400)	5.75 (146)	156 (70.8)
	14F	4380-08AL	4380008AL-083	1.50" x 1.50"	8.19"	2.00		7.50	6.80	3.40	16.00 (406)	11.75 (298)	15.75 (400)	5.75 (146)	156 (70.8)
	16B	4380-06BG	4380006BG-083	2.00" x 2.00"	5.52"	1.00		4.60	4.20	2.10	15.00 (381)	10.63 (270)	14.75 (375)	4.88 (124)	140 (63.5)
	16D	4380-06BI	4380006BI-083	2.00" x 2.00"	6.03"	1.50		6.60	6.00	3.00	15.00 (381)	10.63 (270)	15.75 (400)	4.88 (124)	145 (65.8)
	18B	4380-08BL	4380008BL-083	2.00" x 2.00"	6.75"	2.00		7.50	6.80	3.40	18.00 (457)	11.75 (298)	15.75 (400)	5.13 (130)	172 (78.0)
	18D	4380-08BO	4380008BO-083	2.00" x 2.00"	7.55"	3.00		10.6	9.60	4.80	18.00 (457)	12.75 (324)	20.13 (511)	5.13 (130)	187 (84.8)
	18F	4380-08BR	4380008BR-083	2.00" x 2.00"	8.19"	5.00		16.7	15.2	7.60	18.00 (457)	12.75 (324)	20.13 (511)	5.13 (130)	212 (96.2)
	20B	4380-10AO	4380010AO-083	2.00" x 2.00"	8.00"	3.00		10.6	9.60	4.80	19.00 (483)	13.75 (349)	20.13 (511)	5.38 (137)	220 (99.8)
	20D	4380-10AR	4380010AR-083	2.00" x 2.00"	9.38"	5.00		16.7	15.2	7.60	19.00 (483)	13.75 (349)	20.13 (511)	5.38 (137)	245 (111.1)
	22B	4380-06CG	4380006CG-083	3.00" x 3.00"	5.16"	1.00		4.60	4.20	2.10	18.00 (457)	11.88 (302)	14.75 (375)	6.00 (152)	156 (70.8)
	22D	4380-06CI	4380006CI-083	3.00" x 3.00"	5.69"	1.50		6.60	6.00	3.00	18.00 (457)	11.88 (302)	15.75 (400)	6.00 (152)	161 (73.0)
	22F	4380-06CL	4380006CL-083	3.00" x 3.00"	6.11"	2.00		7.50	6.80	3.40	18.00 (457)	11.88 (302)	15.75 (400)	6.00 (152)	161 (73.0)
	24B	4380-08CO	4380008CO-083	3.00" x 3.00"	6.74"	3.00		10.6	9.60	4.80	22.00 (559)	13.88 (253)	20.13 (511)	6.38 (162)	213 (96.6)
	24D	4380-08CR	4380008CR-083	3.00" x 3.00"	7.87"	5.00		16.7	15.2	7.60	22.00 (559)	13.88 (253)	20.13 (511)	6.38 (162)	238 (108.0)
	26B	4380-10BR	4380010BR-083	3.00" x 3.00"	8.24"	5.00		16.7	15.2	7.60	21.00 (533)	14.25 (362)	20.13 (511)	6.25 (159)	282 (128.0)
	26D	4380-10BV	4380010BV-083	3.00" x 3.00"	9.23"	7.50		24.2	22.0	11.0	21.00 (533)	16.63 (422)	25.63 (651)	6.25 (159)	331 (150.1)
	28B	4380-06DI	4380006DI-083	4.00" x 4.00"	5.17"	1.50		6.60	6.00	3.00	22.00 (559)	12.88 (327)	16.00 (406)	7.75 (197)	198 (89.8)
	28D	4380-06DL	4380006DL-083	4.00" x 4.00"	5.62"	2.00		7.50	6.80	3.40	22.00 (559)	12.88 (327)	16.00 (406)	7.75 (197)	198 (89.8)
	28F	4380-06DO	4380006DO-083	4.00" x 4.00"	6.19"	3.00		10.6	9.60	4.80	22.00 (559)	13.88 (353)	20.36 (518)	7.75 (197)	213 (96.6)
	30B	4380-08DV	4380008DV-083	4.00" x 4.00"	7.40"	7.50		24.2	22.0	11.0	25.00 (635)	17.38 (441)	25.88 (657)	8.00 (203)	304 (137.9)
	30D	4380-08DX	4380008DX-083	4.00" x 4.00"	8.04"	10.0		30.8	28.0	14.0	25.00 (635)	17.38 (441)	25.88 (657)	8.00 (203)	320 (145.1)

SERIES 4380-IVS CLOSE COUPLED VERTICAL IN-LINE WITH VFD CONTROL	PUMP						MOTOR				DIMENSIONS - inch (mm)				WEIGHT
	Performance Curve	Model	Part No.	Inlet & Outlet (NPT)	Impeller Diameter	HP	Full Loads Ams @ Voltage				X	Y	H	D	lbs (kg)
							115	208	230	460					
	14B	4380S-08AG	4380S08AG-081	1.50" x 1.50"	7.05"	1.00				2.10	16.00 (406)	11.22 (285)	11.77 (299)	4.63 (118)	157 (71.2)
	14D	4380S-08AI	4380S08AI-081	1.50" x 1.50"	8.16"	1.50				3.00	16.00 (406)	11.58 (294)	13.11 (333)	4.63 (118)	159 (72.1)
	16B	4380S-06BG	4380S06BG-081	2.00" x 2.00"	5.69"	1.00				2.10	15.00 (381)	10.10 (257)	11.14 (283)	4.88 (124)	147 (66.7)
	16D	4380S-06BI	4380S06BI-081	2.00" x 2.00"	6.18"	1.50				3.00	15.00 (381)	10.46 (266)	12.48 (317)	4.88 (124)	147 (66.7)
	18B	4380S-08BL	4380S08BL-081	2.00" x 2.00"	6.92"	2.00				3.40	18.00 (457)	11.58 (294)	13.11 (333)	5.25 (133)	174 (78.9)
	20B	4380S-10AO	4380S10AO-081	2.00" x 2.00"	8.30"	3.00				4.80	19.00 (483)	13.21 (336)	14.53 (369)	5.34 (136)	247 (112.0)
	20D	4380S-10AR	4380S10AR-081	2.00" x 2.00"	9.73"	5.00				7.60	19.00 (483)	13.44 (341)	15.08 (383)	5.34 (136)	261 (118.4)
	22B	4380S-06CG	4380S06CG-081	3.00" x 3.00"	5.23"	1.00				2.10	18.00 (457)	11.35 (288)	11.14 (283)	6.00 (152)	162 (73.5)
	22D	4380S-06CI	4380S06CI-081	3.00" x 3.00"	5.85"	1.50				3.00	18.00 (457)	11.71 (297)	12.48 (317)	6.00 (152)	164 (74.4)
	22F	4380S-06CL	4380S06CL-081	3.00" x 3.00"	6.18"	2.00				3.40	18.00 (457)	11.71 (297)	12.48 (317)	6.00 (152)	164 (74.4)
	24B	4380S-08CO	4380S08CO-081	3.00" x 3.00"	6.88"	3.00				4.80	22.00 (559)	13.34 (339)	14.53 (369)	6.38 (162)	227 (103.0)
	24D	4380S-08CR	4380S08CR-081	3.00" x 3.00"	8.18"	5.00				7.60	22.00 (559)	13.97 (355)	15.08 (383)	6.38 (162)	241 (109.3)
	26B	4380S-10BR	4380S10BR-081	3.00" x 3.00"	8.27"	5.00				7.60	21.00 (533)	14.34 (364)	15.08 (383)	6.25 (159)	296 (134.3)
	26D	4380S-10BV	4380S10BV-081	3.00" x 3.00"	9.28"	7.50				11.0	21.00 (533)	15.20 (386)	18.50 (470)	6.25 (159)	375 (170.1)
	30B	4380S-08DV	4380S08DV-081	4.00" x 4.00"	7.47"	7.50				11.0	25.00 (635)	15.95 (405)	18.66 (474)	8.00 (203)	286 (129.7)
	30D	4380S-08DX	4380S08DX-081	4.00" x 4.00"	8.15"	10.0				14.0	25.00 (635)	15.95 (405)	18.66 (474)	8.00 (203)	380 (172.4)



NOTES	COMMON DATA		
All motors are 3-phase 1800 rpm except: 1 3600 rpm 2 1-phase For exact installation data please write factory for certified dimensions.	Type:	VIL (Vertical In-Line)	Motor Efficiency: Standard